

EXHIBITOR APPLICATION

JANUARY 30-31, 2015

THE FILLMORE | MIAMI BEACH

THE
LIQUID PROJECTS
PRESENTS



CRAFT: SPIRITS & BEER BRINGS TOGETHER THE FINEST ARTISAN SPIRITS AND BEER PRODUCERS FOR A TWO-DAY PROGRAM THAT INCLUDES SEMINARS, A TRADE TASTING AND A DYNAMIC PUBLIC EVENT, PAIRING CHEFS AND BARTENDERS WITH YOUR CRAFT!

JAN 30, NOON-3PM - TRADE TASTING: INDUSTRY-WIDE TRADE TASTING FOLLOWED BY AN AFTER-NOON SEMINAR SERIES

JAN 31, 3PM-7PM (VIP 3-4PM) - TASTING GALLERY: THE ULTIMATE PAIRING EVENT THAT UNITES CHEFS AND MIXOLOGISTS WITH THE FINEST ARTISAN DISTILLERS AND BREWERS. SEMINARS HELD PRIOR TO TASTING GALLERY.

TO BECOME AN EXHIBITOR SUBMIT THIS PAGE TO INFO@CRAFTSPIRITSANDBEER.COM

PLEASE SEE PAGE 2 FOR PRICING AND BOOTH LOCATIONS AND WWW.CRAFTSPIRITSANDBEER.COM FOR COMPLETE PROGRAM DETAILS.

PLEASE SELECT: FOUNDING **CRAFT** EXHIBITOR NEW TO **CRAFT**

COMPANY NAME: _____ DISTILLERY, BREWERY OR OTHER: _____

CONTACT NAME: _____ POSITION: _____

PHONE: _____ CELL: _____ EMAIL: _____

OFFICE ADDRESS: _____ CITY: _____ STATE: _____ ZIP: _____

YOU WILL BE NOTIFIED WITHIN ONE WEEK AS TO WHETHER YOUR APPLICATION HAS BEEN ACCEPTED.

PLEASE SELECT: PREMIUM BAR - \$1,750 STANDARD TABLE - \$1,000

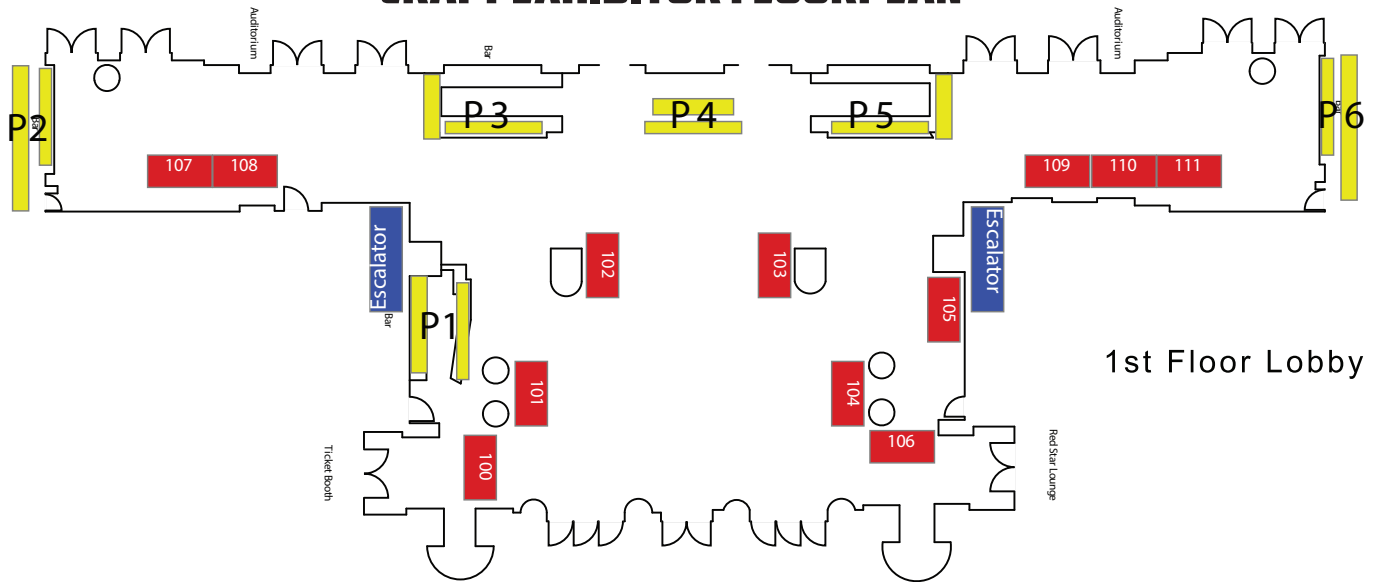
PLEASE CONSIDER...

AT **CRAFT: SPIRITS & BEER** WE STRIVE TO HIGHLIGHT YOUR ARTISAN PRODUCT IN THE BEST WAY POSSIBLE.

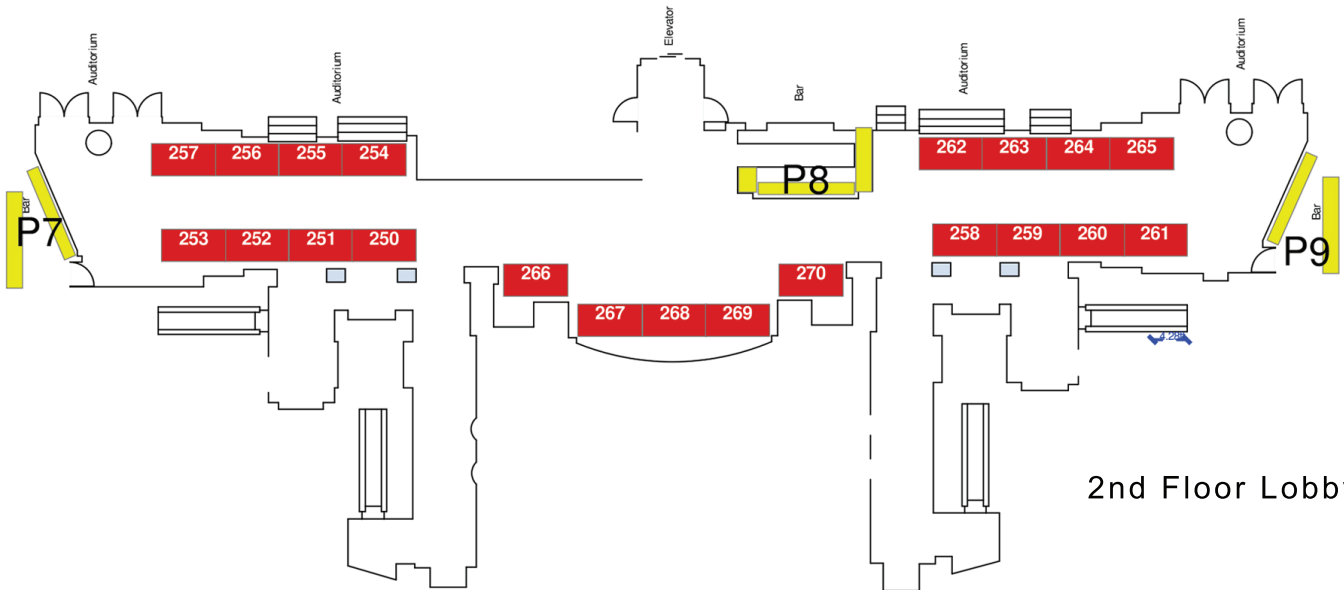
IT IS FOR THIS REASON THAT WE REQUEST THE FOLLOWING:

- A DISTILLER/BREWER OF YOUR COMPANY BE PRESENT **AND** ONE PRINCIPAL OR THE BRAND AMBASSADOR FOR THE DURATION OF THE TWO-DAY EVENT.
- IN ADDITION, WE STRONGLY DISCOURAGE THE HIRING OF THIRD-PARTY EVENT STAFF OR "TALENT" FOR THESE TWO DAYS.

CRAFT EXHIBITOR FLOORPLAN



1st Floor Lobby



2nd Floor Lobby

PRICING

2 DAYS:

JAN 30 – TRADE TASTING
JAN 31 – TASTING GALLERY
 TICKETED PUBLIC EVENT
 500 GUESTS EXPECTED

STANDARD TABLE - \$1,000

BOTH DAYS, INCLUDES:

- 6' LONG, DRAPED TABLE
- 2 CHAIRS
- WASTE PAPER BIN
- BUS TRAY
- ICE
- PLASTIC GLASSES
- NAPKINS

THE LIQUID PROJECTS
 PRESENTS



PREMIUM TABLE (P1-P9) - \$1,750

BOTH DAYS, INCLUDES:

- BUILT-IN BAR
- 2 CHAIRS
- WASTE PAPER BIN
- BUS TRAY
- ICE
- PLASTIC GLASSES
- NAPKINS

PLUS, FOR JAN. 31 TASTING GALLERY:

- PROFESSIONAL BAR STATION
- PAIRED WITH WELL-KNOWN MIAMI CHEF AND MIXOLOGIST